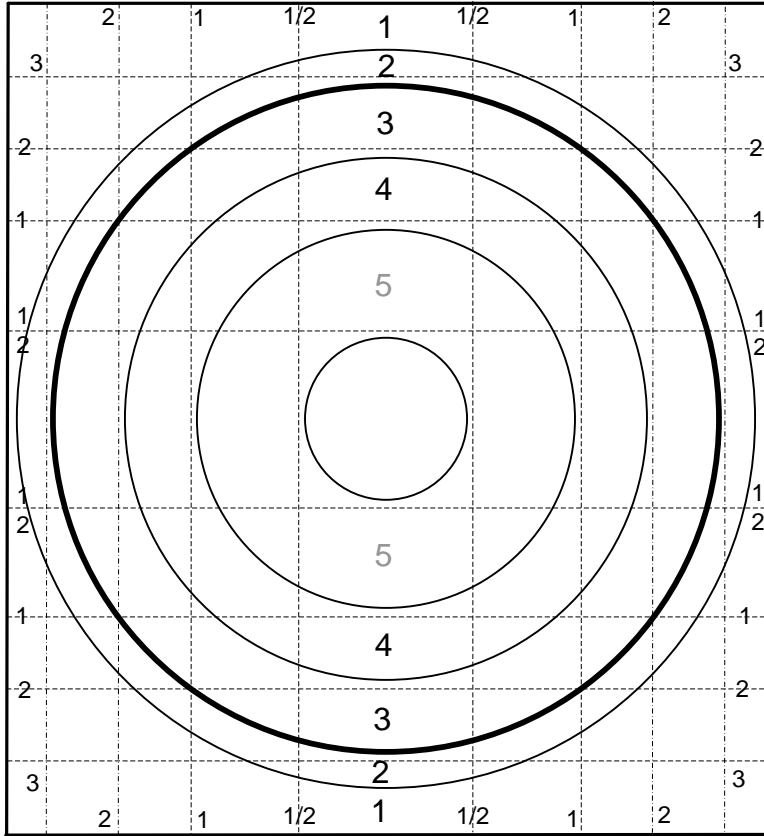


# 600 Yard ICFRA

05/12/09

In MOA 6.282" @ 600 yds

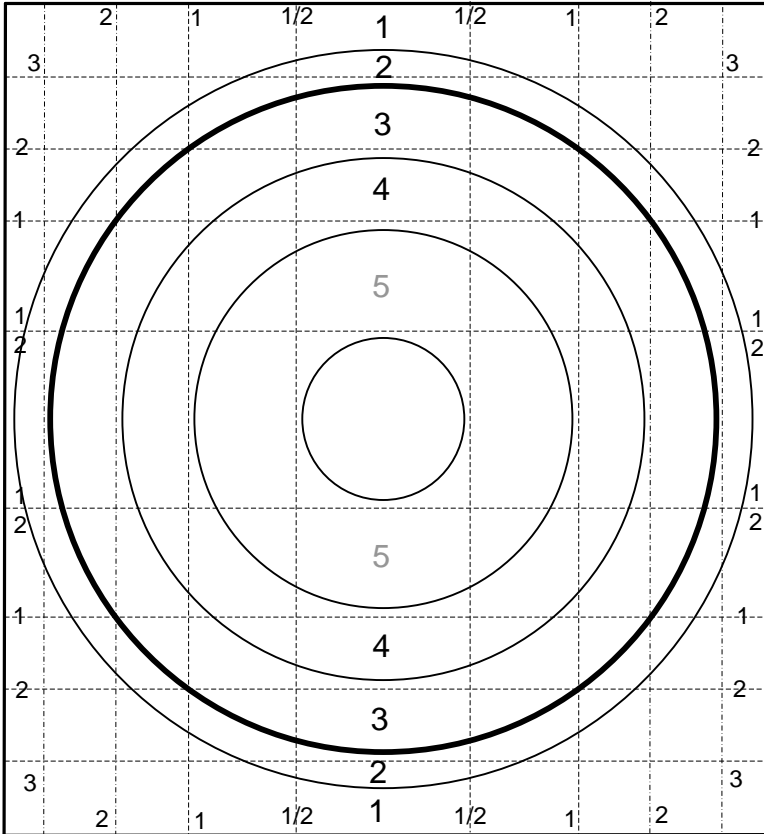


Place					Date							
Target No.			Relay		Time							
Rifle					Ammunition							
Light Direction		Wind Direction			MM		RILES					
Temp		MPH			Mirage		0-60					
					F							
Elevation Zero		Windage Zero										
Elevation Used					Windage Used							
0-1-T90%	SS1	SS2	1	2	3	4	5	6	7	8	9	10
Elevation												
Windage												
Call												
Value												
GRP 5/03/09	SS3	SS4	11	12	13	14	15	16	17	18	19	20
Elevation												
Windage												
Call												
Value												
Reloading Information											<b>Score</b>	
Brass					Primers							
Powder					Gr. Wt.							
Bullet					OAL							

# 600 Yard ICFRA

05/12/09

In MOA 6.282" @ 600 yds



Place					Date							
Target No.			Relay		Time							
Rifle					Ammunition							
Light Direction		Wind Direction			MM		RILES					
Temp		MPH			Mirage		0-60					
					F							
Elevation Zero					Windage Zero							
Elevation Used					Windage Used							
0-1-T90%	SS1	SS2	1	2	3	4	5	6	7	8	9	10
Elevation												
Windage												
Call												
Value												
GRP 5/03/09	SS3	SS4	11	12	13	14	15	16	17	18	19	20
Elevation												
Windage												
Call												
Value												
Reloading Information											<b>Score</b>	
Brass					Primers							
Powder					Gr. Wt.							
Bullet					OAL							