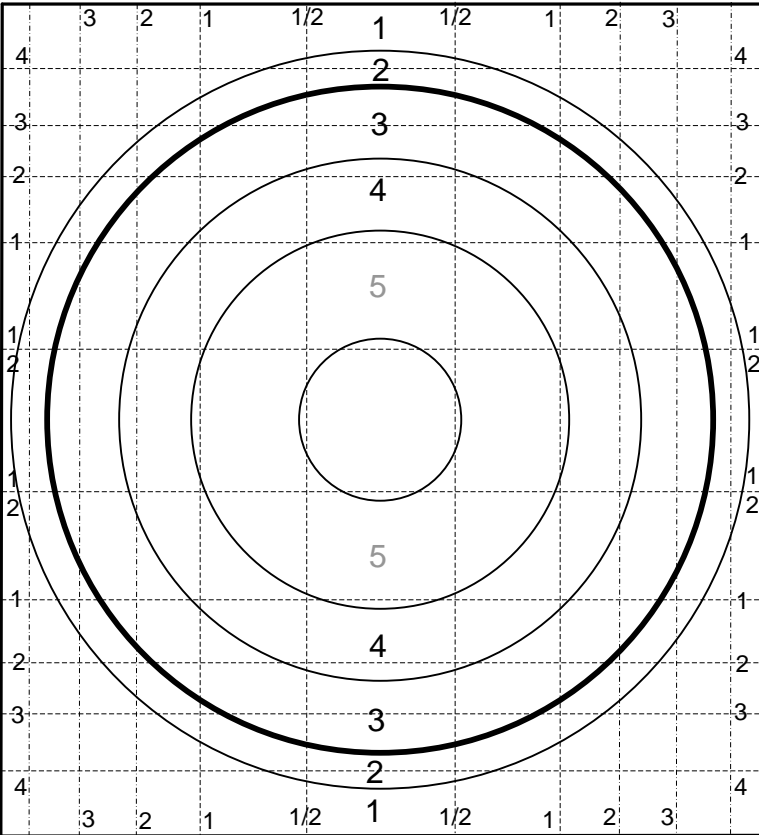


500 Yard ICFRA

05/12/09

In MOA 5.235" @ 500 yds

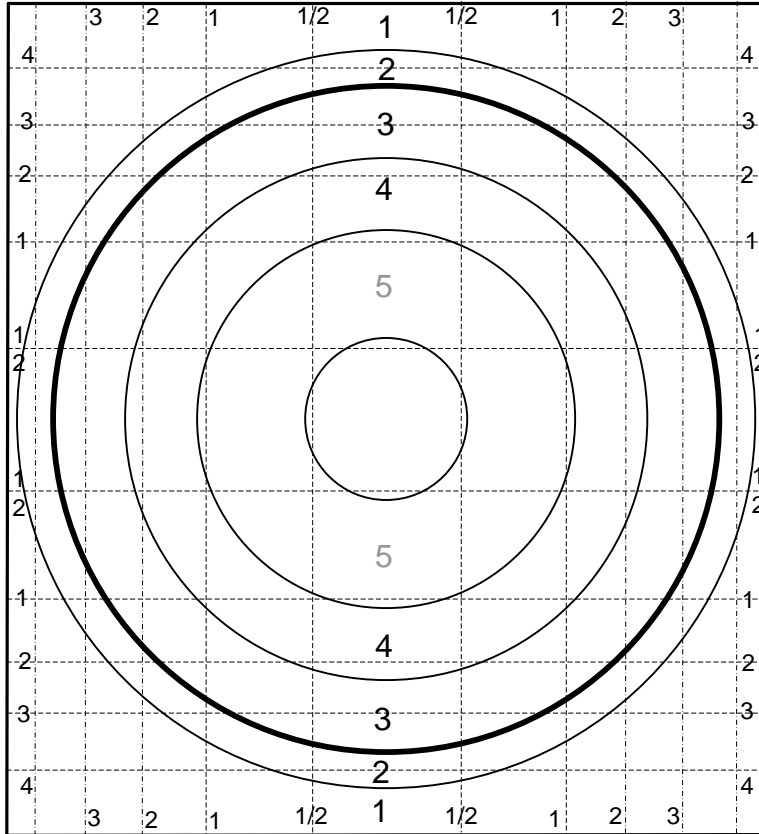


Place		Date											
Target No.		Relay		Time									
Rifle			Ammunition										
Light Direction		Wind Direction		MM	RILES								
Temp		MPH	Mirage	F									
Elevation Zero			Windage Zero										
Elevation Used			Windage Used										
0-1-T90%	SS1	SS2	1	2	3	4	5	6	7	8	9	10	
Elevation													
Windage													
Call													
Value													
GRP 5/03/09	SS3	SS4	11	12	13	14	15	16	17	18	19	20	
Elevation													
Windage													
Call													
Value													
Reloading Information												Score	
Brass						Primers							
Powder						Gr. Wt.							
Bullet						OAL							

500 Yard ICFRA

05/12/09

In MOA 5.235" @ 500 yds



Place		Date											
Target No.		Relay		Time									
Rifle			Ammunition										
Light Direction		Wind Direction		MM	RILES								
Temp		MPH	Mirage	F									
Elevation Zero			Windage Zero										
Elevation Used			Windage Used										
0-1-T90%	SS1	SS2	1	2	3	4	5	6	7	8	9	10	
Elevation													
Windage													
Call													
Value													
GRP 5/03/09	SS3	SS4	11	12	13	14	15	16	17	18	19	20	
Elevation													
Windage													
Call													
Value													
Reloading Information												Score	
Brass						Primers							
Powder						Gr. Wt.							
Bullet						OAL							