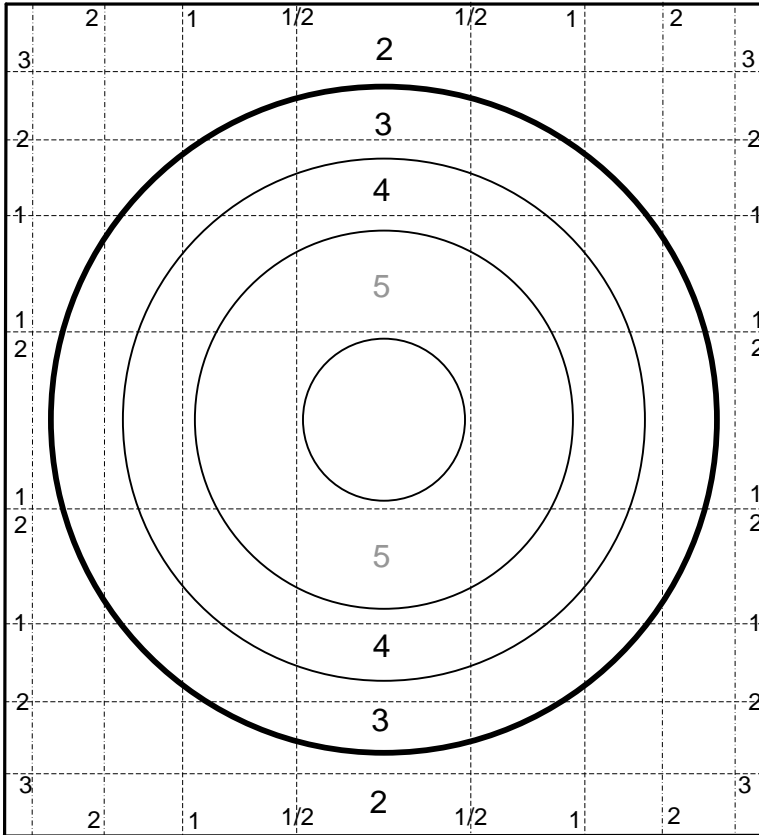


# 400 Yard ICFRA

05/12/09

In MOA 4.188" @ 400 yds

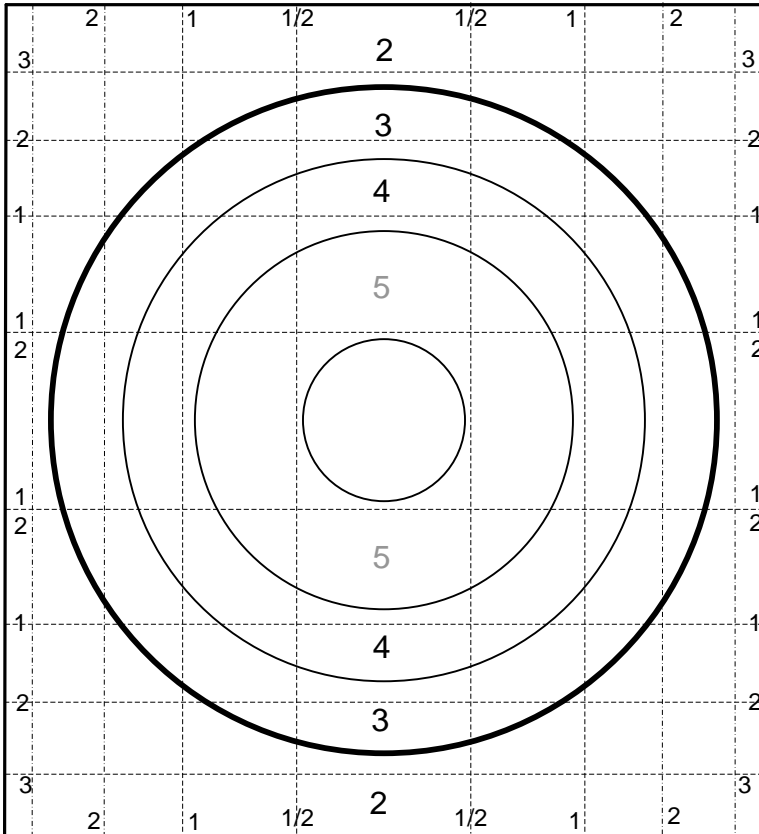


Place										Date															
Target No.					Relay					Time															
Rifle										Ammunition															
Light Direction					Wind Direction					MM					RILES										
Temp					MPH					Mirage					F										
															R										
Elevation Zero										Windage Zero															
Elevation Used										Windage Used															
0-1-T90%		SS1		SS2		1		2		3		4		5		6		7		8		9		10	
Elevation																									
Windage																									
Call																									
Value																									
GRP 5/03/09		SS3		SS4		11		12		13		14		15		16		17		18		19		20	
Elevation																									
Windage																									
Call																									
Value																									
Reloading Information										Score															
Brass					Primers																				
Powder					Gr. Wt.																				
Bullet					OAL																				

# 400 Yard ICFRA

05/12/09

In MOA 4.188" @ 400 yds



Place										Date															
Target No.					Relay					Time															
Rifle										Ammunition															
Light Direction					Wind Direction					MM					RILES										
Temp					MPH					Mirage					F										
															R										
Elevation Zero										Windage Zero															
Elevation Used										Windage Used															
0-1-T90%		SS1		SS2		1		2		3		4		5		6		7		8		9		10	
Elevation																									
Windage																									
Call																									
Value																									
GRP 5/03/09		SS3		SS4		11		12		13		14		15		16		17		18		19		20	
Elevation																									
Windage																									
Call																									
Value																									
Reloading Information										Score															
Brass					Primers																				
Powder					Gr. Wt.																				
Bullet					OAL																				