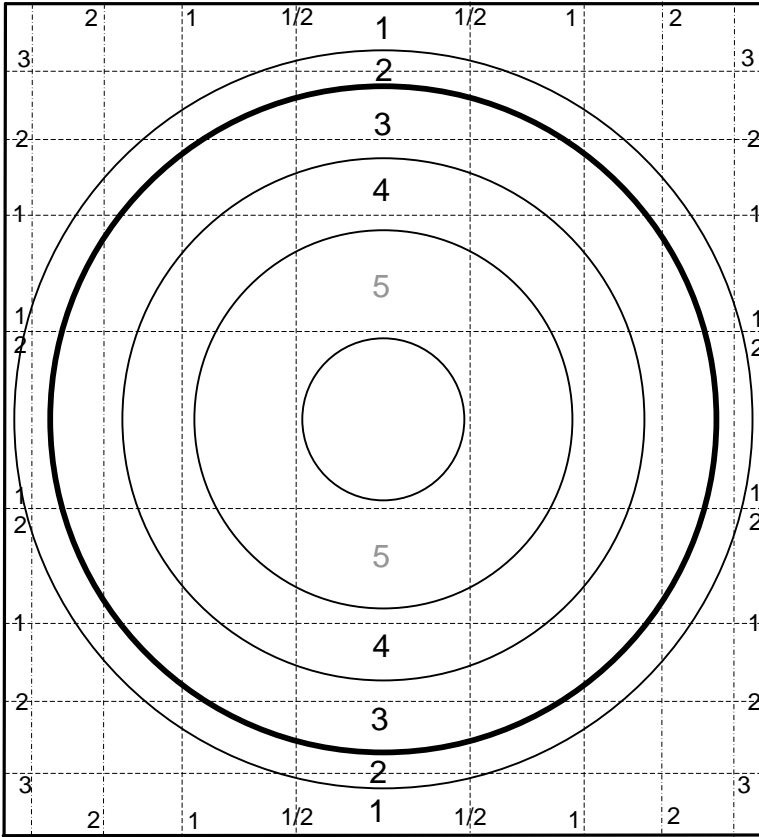


300 Yard ICFRA

05/12/09

In MOA 3.141" @ 300 yds

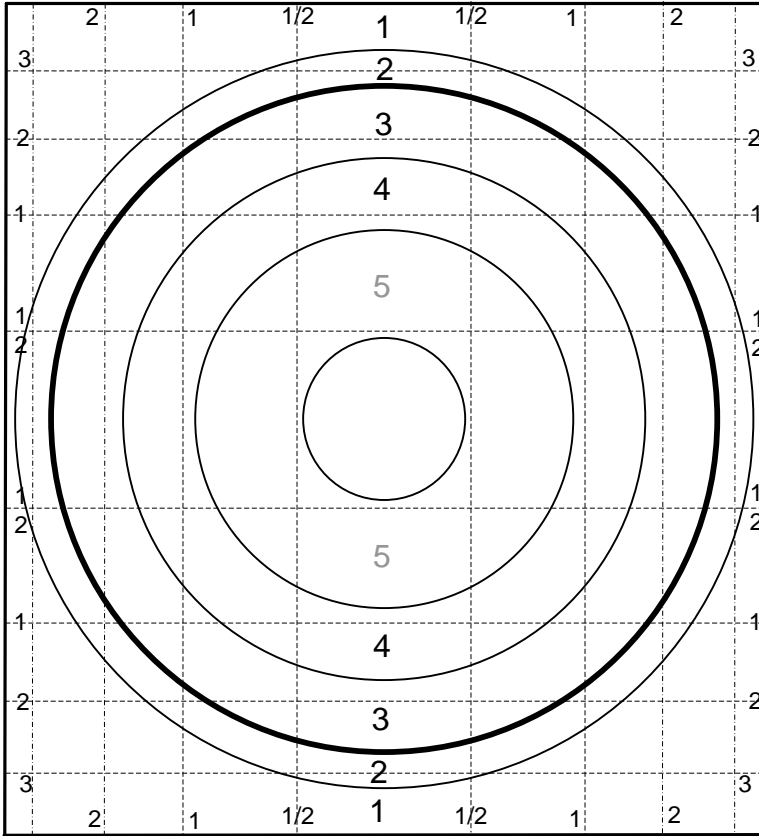


Place		Date									
Target No.		Relay	Time								
Rifle		Ammunition									
Light Direction	Wind Direction	MM	RILES 0								
Temp	MPH	F	12								
		R	24								
			36								
			48								
			60								
Elevation Zero		Windage Zero									
Elevation Used		Windage Used									
0-1-T90%	SS1 SS2	1	2	3	4	5	6	7	8	9	10
Elevation											
Windage											
Call											
Value											
GRP 5/03/09	SS3 SS4	11	12	13	14	15	16	17	18	19	20
Elevation											
Windage											
Call											
Value											
Reloading Information											Score
Brass					Primers						
Powder					Gr. Wt.						
Bullet					OAL						

300 Yard ICFRA

05/12/09

In MOA 3.141" @ 300 yds



Place		Date									
Target No.		Relay	Time								
Rifle		Ammunition									
Light Direction	Wind Direction	MM	RILES 0								
Temp	MPH	F	12								
		R	24								
			36								
			48								
			60								
Elevation Zero		Windage Zero									
Elevation Used		Windage Used									
0-1-T90%	SS1 SS2	1	2	3	4	5	6	7	8	9	10
Elevation											
Windage											
Call											
Value											
GRP 5/03/09	SS3 SS4	11	12	13	14	15	16	17	18	19	20
Elevation											
Windage											
Call											
Value											
Reloading Information											Score
Brass					Primers						
Powder					Gr. Wt.						
Bullet					OAL						