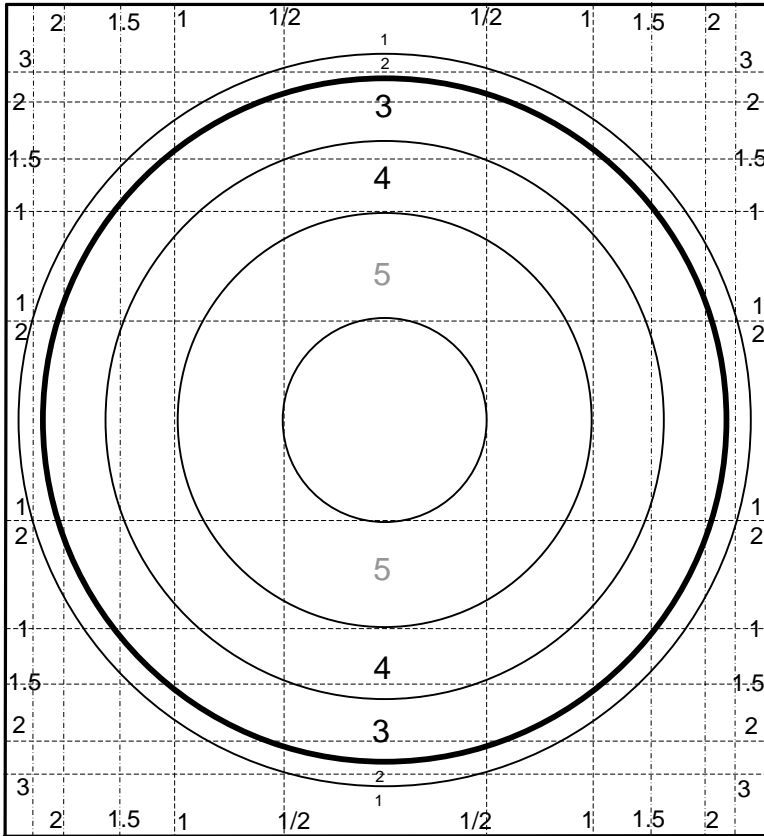


1000 Yard ICFRA

05/15/09

In MOA 10.473" @ 1000 yds

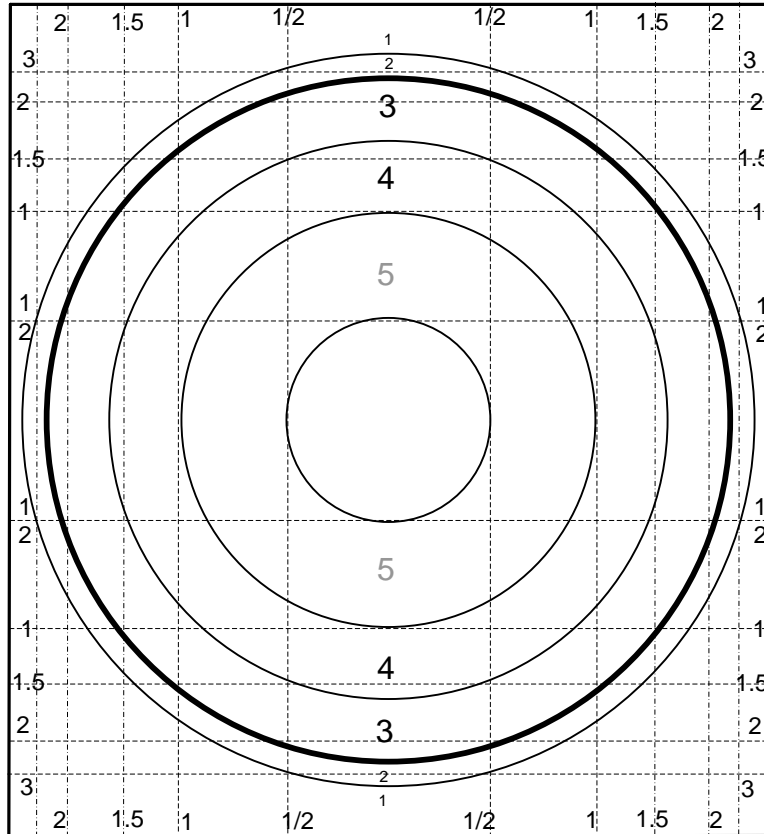


Place		Date										
Target No.		Relay		Time								
Rifle			Ammunition									
Light Direction		Wind Direction		MM	RILES							
Temp		MPH		F								
Elevation Zero			Windage Zero									
Elevation Used			Windage Used									
0-1-T90%	SS1	SS2	1	2	3	4	5	6	7	8	9	10
Elevation												
Windage												
Call												
Value												
GRP 5/03/09	SS3	SS4	11	12	13	14	15	16	17	18	19	20
Elevation												
Windage												
Call												
Value												
Reloading Information											Score	
Brass					Primers							
Powder					Gr. Wt.							
Bullet					OAL							

1000 Yard ICFRA

05/15/09

In MOA 10.473" @ 1000 yds



Place		Date										
Target No.		Relay		Time								
Rifle			Ammunition									
Light Direction		Wind Direction		MM	RILES							
Temp		MPH		F								
Elevation Zero			Windage Zero									
Elevation Used			Windage Used									
0-1-T90%	SS1	SS2	1	2	3	4	5	6	7	8	9	10
Elevation												
Windage												
Call												
Value												
GRP 5/03/09	SS3	SS4	11	12	13	14	15	16	17	18	19	20
Elevation												
Windage												
Call												
Value												
Reloading Information											Score	
Brass					Primers							
Powder					Gr. Wt.							
Bullet					OAL							