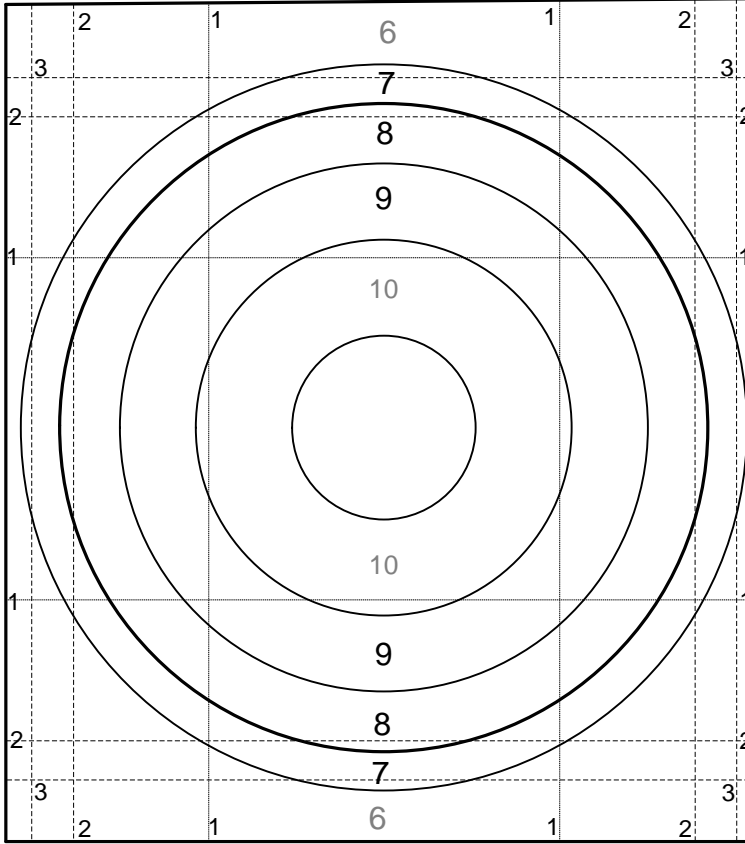
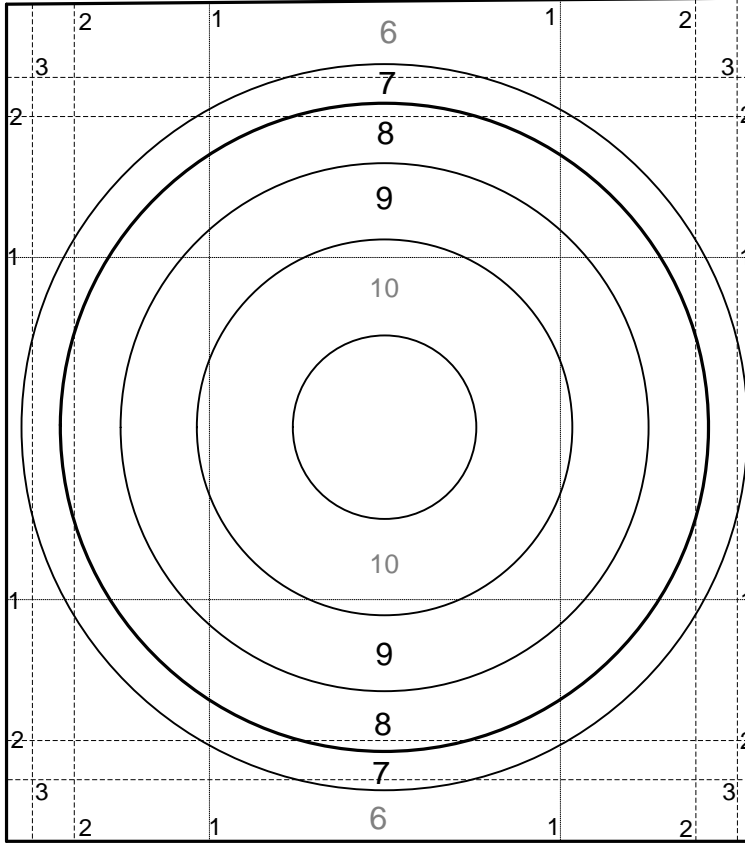


900 Yards



Place		Date											
Target No.		Relay		Time									
Rifle		Ammunition											
Light Direction Temp		Wind Direction MPH		Mirage MM / Sights									
Elevation Zero			Windage Zero										
Elevation Used			Windage Used										
0-1-T50%	SS1	SS2	1	2	3	4	5	6	7	8	9	10	TOTAL
Elevation													
Windage													
Call													
Value													TOTAL
GRP 8/04/05	SS3	SS4	11	12	13	14	15	16	17	18	19	20	
Elevation													
Windage													
Call													Score
Value													
Reloading Information		Sights		Score									
Brass	Primers	E on											
Powder	Gr. Wt.	W on											
Bullet	OAL												

900 Yards



Place		Date											
Target No.		Relay		Time									
Rifle		Ammunition											
Light Direction Temp		Wind Direction MPH		Mirage MM / Sights									
Elevation Zero			Windage Zero										
Elevation Used			Windage Used										
0-1-T50%	SS1	SS2	1	2	3	4	5	6	7	8	9	10	TOTAL
Elevation													
Windage													
Call													
Value													TOTAL
GRP 8/04/05	SS3	SS4	11	12	13	14	15	16	17	18	19	20	
Elevation													
Windage													
Call													Score
Value													
Reloading Information		Sights		Score									
Brass	Primers	E on											
Powder	Gr. Wt.	W on											
Bullet	OAL												