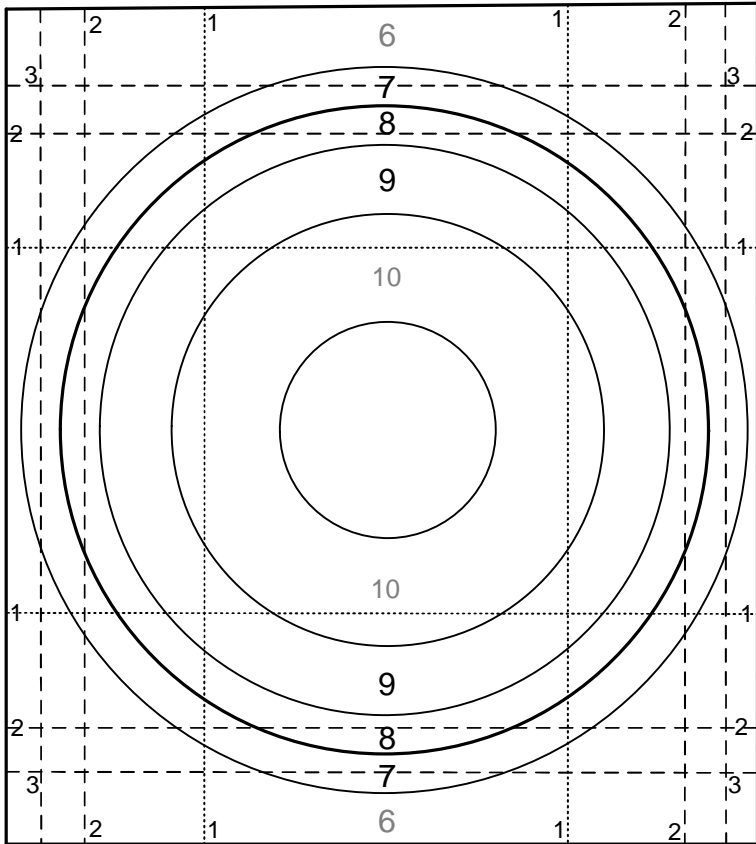
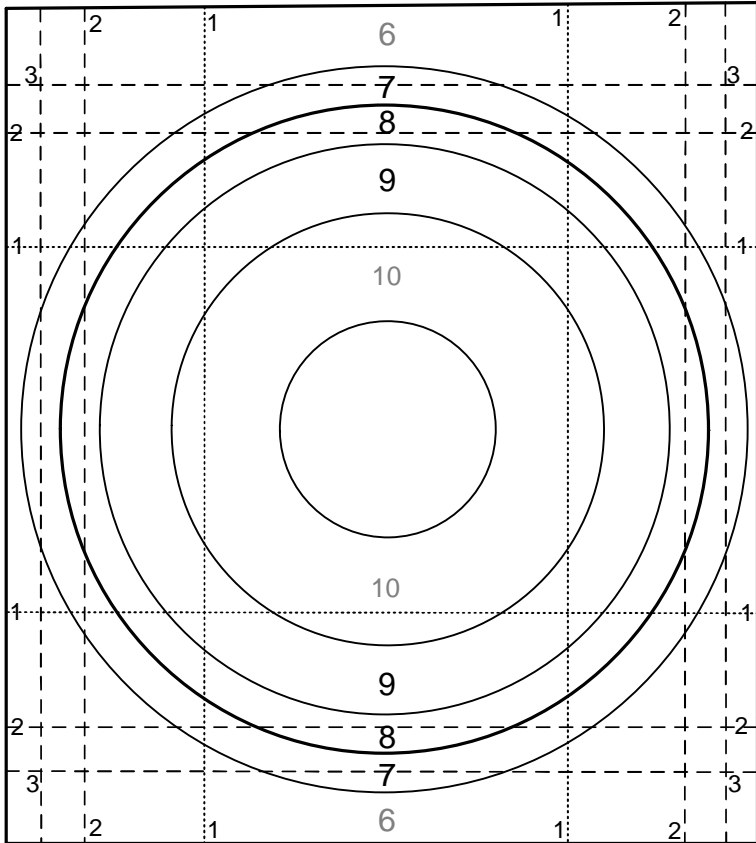


# 800 Yards



Place						Date							
Target No.			Relay			Time							
Rifle						Ammunition							
Light Direction			Wind Direction			MM / Sights							
Temp			MPH			Mirage							
Elevation Zero						Windage Zero							
Elevation Used						Windage Used							
0-1-T50%	SS1	SS2	1	2	3	4	5	6	7	8	9	10	TOTAL
Elevation													
Windage													
Call													
Value													
GRP 8/04/05	SS3	SS4	11	12	13	14	15	16	17	18	19	20	TOTAL
Elevation													
Windage													
Call													
Value													
Reloading Information						Sights			Score				
Brass			Primers			E on							
Powder			Gr. Wt.			W on							
Bullet			OAL										

# 800 Yards



Place						Date							
Target No.			Relay			Time							
Rifle						Ammunition							
Light Direction			Wind Direction			MM / Sights							
Temp			MPH			Mirage							
Elevation Zero						Windage Zero							
Elevation Used						Windage Used							
0-1-T50%	SS1	SS2	1	2	3	4	5	6	7	8	9	10	TOTAL
Elevation													
Windage													
Call													
Value													
GRP 8/04/05	SS3	SS4	11	12	13	14	15	16	17	18	19	20	TOTAL
Elevation													
Windage													
Call													
Value													
Reloading Information						Sights			Score				
Brass			Primers			E on							
Powder			Gr. Wt.			W on							
Bullet			OAL										