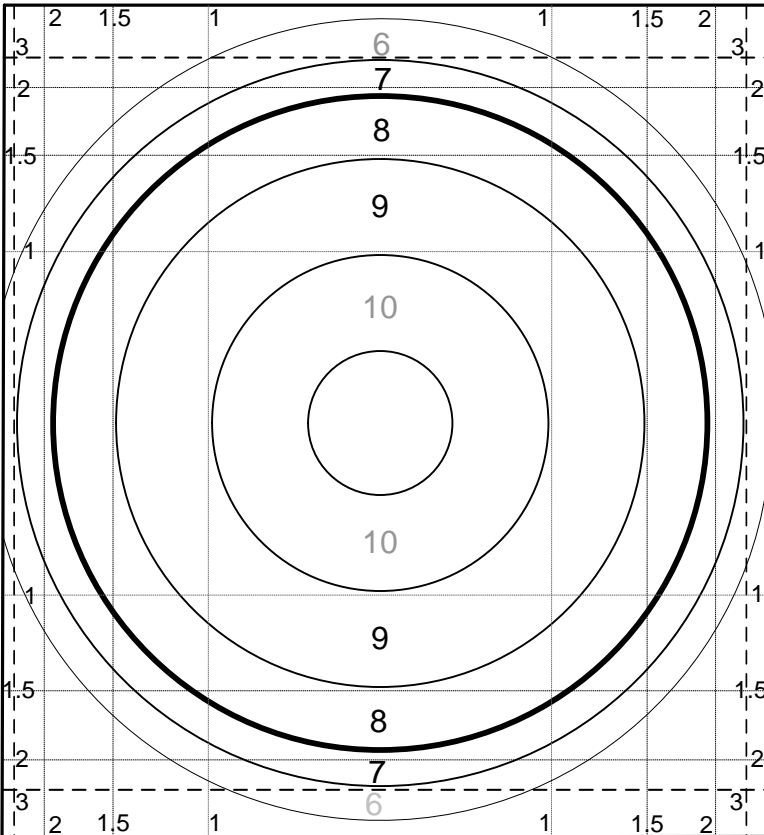


# 600/300 Yard Slow Fire

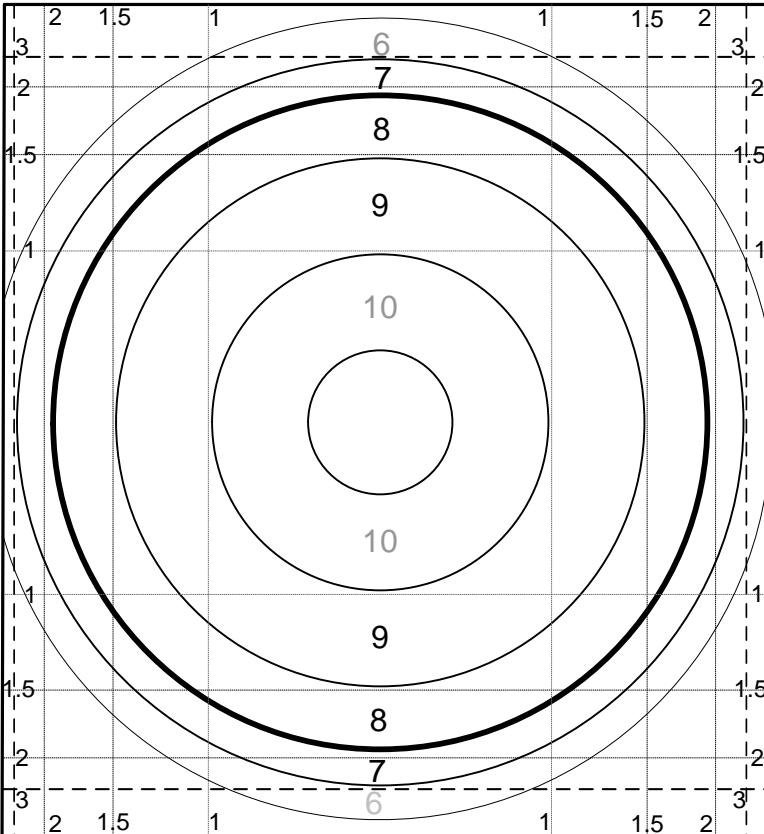
SR 63



Place										Date									
Target No.					Relay					Time									
Rifle					Ammunition														
Light Direction					Wind Direction					MM / Sights									
Temp					MPH					Mirage									
Elevation Zero					Windage Zero														
Elevation Used					Windage Used														
0-1-T50%		SS1		SS2		1	2	3	4	5	6	7	8	9	10	TOTAL			
Elevation																			
Windage																			
Call		○		○		○	○	○	○	○	○	○	○	○	○				
Value																			
GRP 8/04/05		SS3		SS4		11	12	13	14	15	16	17	18	19	20	TOTAL			
Elevation																			
Windage																			
Call		○		○		○	○	○	○	○	○	○	○	○	○				
Value																			
Reloading Information										Sights					Score				
Brass					Primers					E on									
Powder					Gr. Wt.					W on									
Bullet					OAL														

# 600/300 Yard Slow Fire

SR 63



Place										Date									
Target No.					Relay					Time									
Rifle					Ammunition														
Light Direction					Wind Direction					MM / Sights									
Temp					MPH					Mirage									
Elevation Zero					Windage Zero														
Elevation Used					Windage Used														
0-1-T50%		SS1		SS2		1	2	3	4	5	6	7	8	9	10	TOTAL			
Elevation																			
Windage																			
Call		○		○		○	○	○	○	○	○	○	○	○	○				
Value																			
GRP 8/04/05		SS3		SS4		11	12	13	14	15	16	17	18	19	20	TOTAL			
Elevation																			
Windage																			
Call		○		○		○	○	○	○	○	○	○	○	○	○				
Value																			
Reloading Information										Sights					Score				
Brass					Primers					E on									
Powder					Gr. Wt.					W on									
Bullet					OAL														