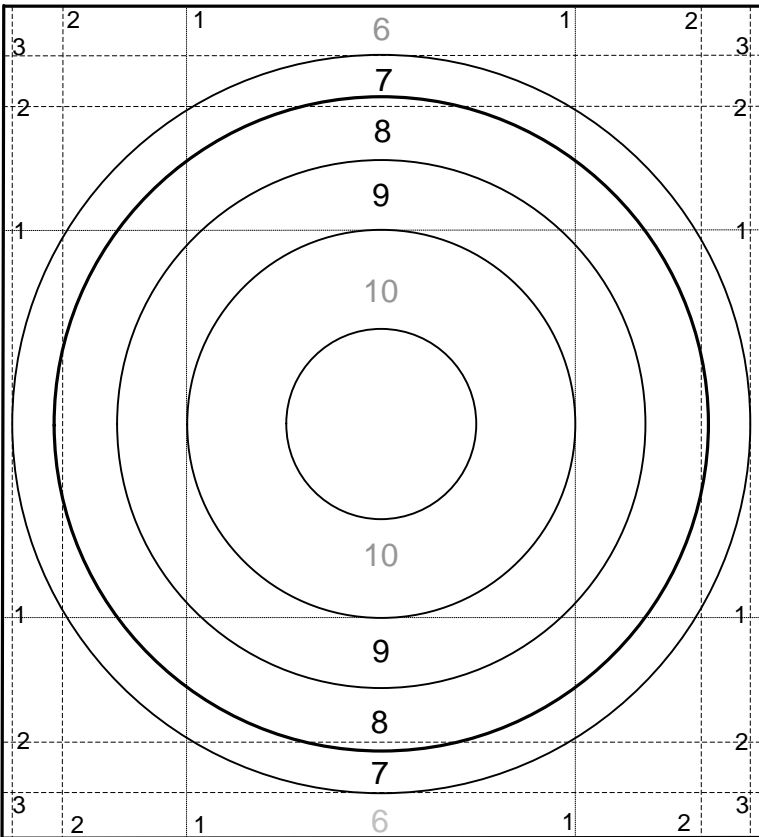
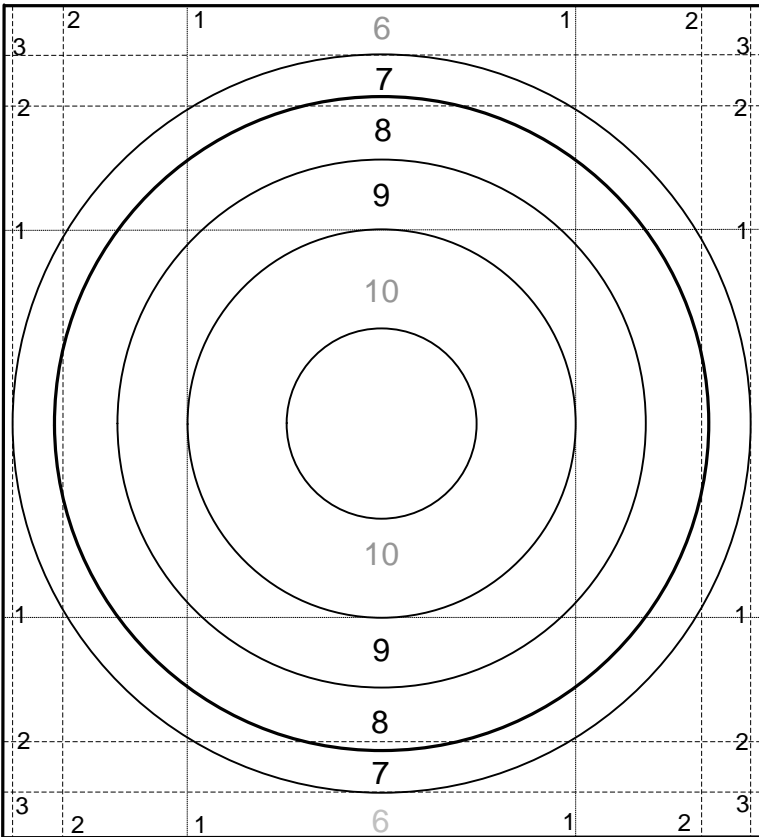


# 1000 Yards



Place					Date								
Target No.			Relay		Time								
Rifle					Ammunition								
Light Direction		Wind Direction			Mirage			MM / Sights					
Temp		MPH					F		0				
Elevation Zero					Windage Zero								
Elevation Used					Windage Used								
0-1-T50%	SS1	SS2	1	2	3	4	5	6	7	8	9	10	TOTAL
Elevation													
Windage													
Call													
Value													
GRP 8/04/05	SS3	SS4	11	12	13	14	15	16	17	18	19	20	TOTAL
Elevation													
Windage													
Call													
Value													
Reloading Information					Sights			Score					
Brass		Primers			E on								
Powder		Gr. Wt.			W on								
Bullet		OAL											

# 1000 Yards



Place					Date								
Target No.			Relay		Time								
Rifle					Ammunition								
Light Direction		Wind Direction			Mirage			MM / Sights					
Temp		MPH					F		0				
Elevation Zero					Windage Zero								
Elevation Used					Windage Used								
0-1-T50%	SS1	SS2	1	2	3	4	5	6	7	8	9	10	TOTAL
Elevation													
Windage													
Call													
Value													
GRP 8/04/05	SS3	SS4	11	12	13	14	15	16	17	18	19	20	TOTAL
Elevation													
Windage													
Call													
Value													
Reloading Information					Sights			Score					
Brass		Primers			E on								
Powder		Gr. Wt.			W on								
Bullet		OAL											